

FTC, FTC57

SN: >= 150
Hardware V. 1.3
Software V. 1.1



Flight Time Counter



Installation and Operating

Vogel Elektronik
Wiesenweg 6
CH-3380 Wangen a.A.
Tel. +41 32 530 5992
www.voel.ch

Operating



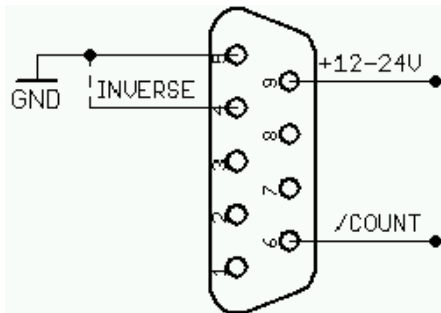
Shows Hours and Minutes on LC—Display
Counting is active during blinking dots.
Both dots are on if counting isn't active.

An integrated capacitor (SuperCap®) keeps the display on for a few minutes after power off.

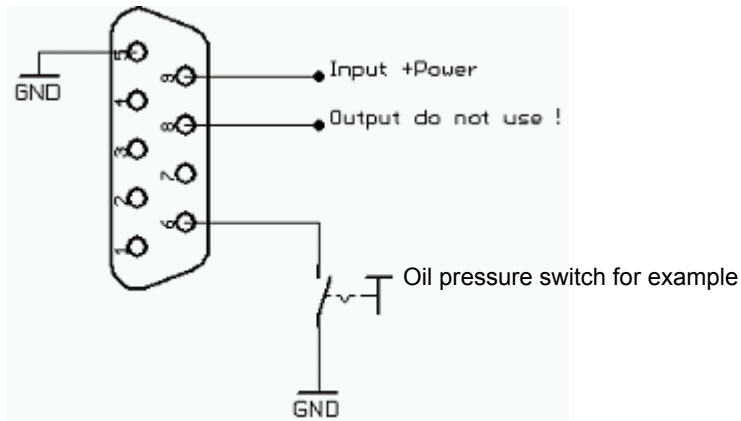
The LCD readability could be delayed after a longer time power off.

Installation

Inputs ground, power +12 up to 24V DC, count and inverse are available on the SUBD9M connector.



Count is active during input „Count“ has ground level and input “INVERSE” (pin 4) isn't connected. If pin 4 is connected to GND (pin 5) counting is active if input “COUNT” is open or > 5V. It's inverse function of input “COUNT” in this case. Activity is indicated with the two blinking dots.

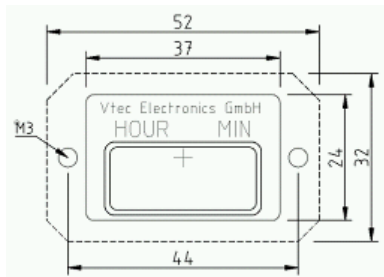


Setting time for beginning

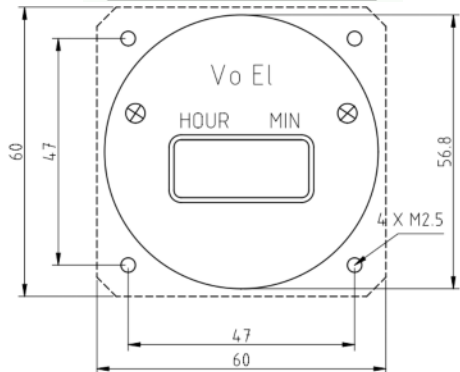
Connect the FTC with power. Any 9 V battery could used too. Use a plastic ballpoint ore something like that for pushing the two switches on backside. Short pushing increments or decrements in steps. Longer pushing increments or decrements faster.



Model – Description



FTC



FTC57

Difference is front size only

Specification

Power supply: 8 – 26V
 Current consumption: < 3mA
 Working temperature: -30 ... 70°C
 Weight: 40gr

Version			NS affected
Hardware	Software		
1	1.0	First Version	< 150
1.3	1.1	Input for inverse function	≥ 150